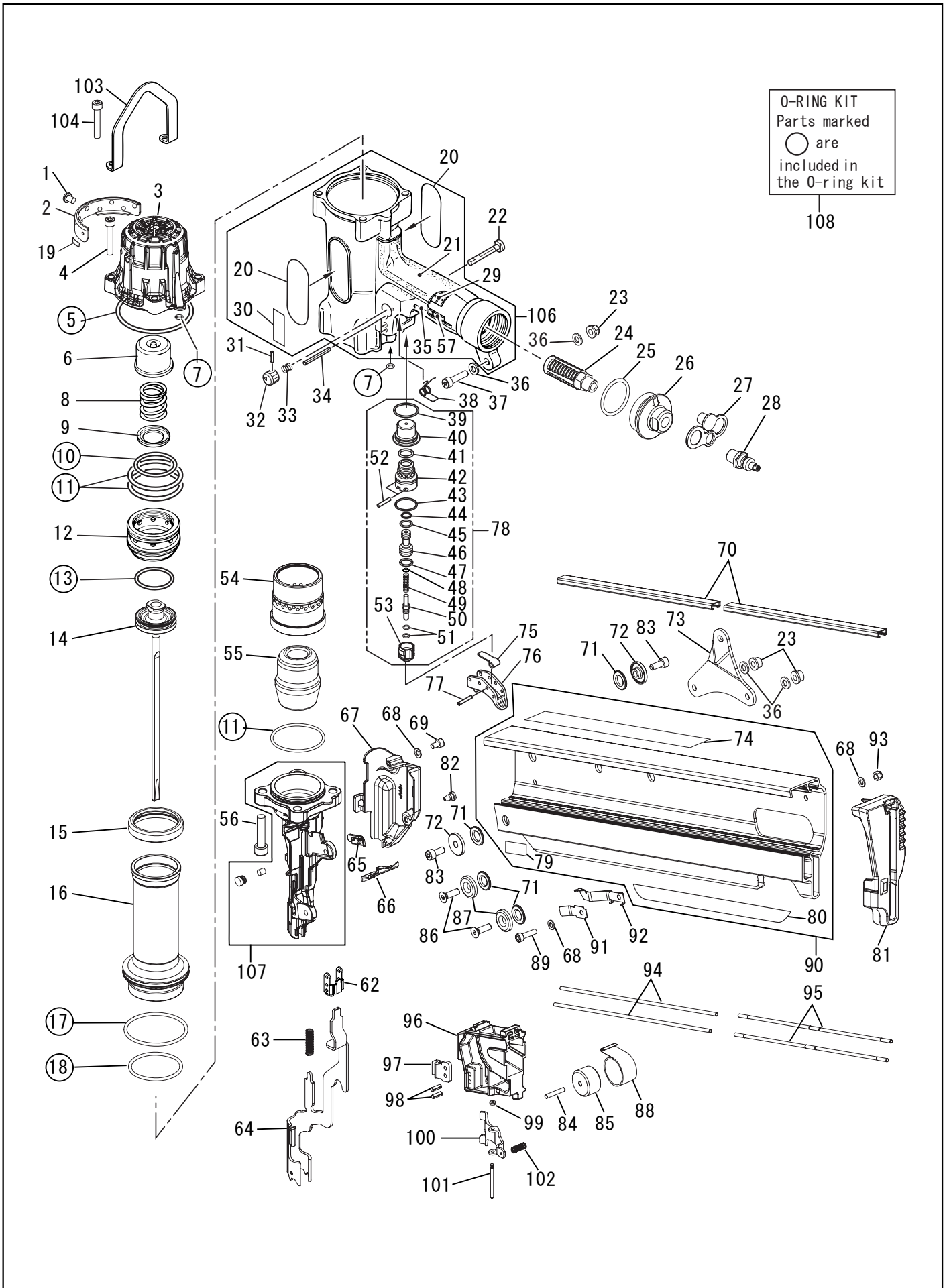


HS130

Stick Nailer



MAX HS130 Parts List

Part NO	Part Code	Description
1	BB41701	SPECIAL SCREW M6X8
2	HS10817	EXHAUST COVER
3	HS70077	CYLINDER CAP UNIT
4	BB40227	HEX.SOC.HD.CAP SCREW M6X35
5	HH14040	O-RING ARP568-040
6	HN10275	PISTON STOP
7	HH11120	O-RING ARP568-009 CN65079
8	KK23516	COMP SPRING 3516
9	CN31892	SPRING SHEET
10	HH19708	O-RING 1A2.6X39.5
11	HH11157	O-RING ARP568-136
12	HN10274	HEAD VALVE PISTON
13	HH11803	O-RING P36
14	HS70080	MAIN PISTON UNIT
15	HN10278	CYLINDER SEAL
16	HS10809	CYLINDER A
17	HH12108	O-RING AG60
18	HH12102	O-RING AG50
19	HS10831	FILTER
20	HS10825	NAME LABEL (HS130CE)
21	HN10310	GRIP COVER A
22	CN34088	TRIGGER LOCK LEVER
23	CC51002	NUT M6
24	TA17024	END CAP FILTER KM-23
25	HH12118	O RING 1AG35
26	HS10802	END CAP
27	HN10316	END PLUG CAP
28	TT05416	AIR PLUG
29	HN10322	BUFFER SEAT A
30	HN10757	TRIGGER LOCK SEAL
31	FF21201	PIN 2.5X10
32	HN10327	TRIGGER LOCK DIAL
33	KK23507	SPRING 3507
34	FF21235	SPRING PIN 3X30
35	HN10311	GRIP COVER B
36	EE31105	WASHER 1-6
37	BB40701	HEX.SOC.HD.CAP SCREW M6X25
38	KK33189	TORSION SPRING 3189
39	HH11159	O-RING ARP568-016
40	HN10326	TRIGGER VALVE CAGE
41	HH11151	O-RING ARP568-013
42	HN10283	TRIGGER VALVE HOUSING
43	HH11138	O-RING AP20
44	HH11119	O-RING AP6
45	HH11802	O-RING P7
46	CN33627	PILOT VALVE
47	HH11113	O-RING AP9
48	CN31436	PILOT OLIFICE
49	KK23814	COMPRESSION SPRING 3814
50	HN10328	TRIGGER VALVE STEM
51	HH11901	O-RING 1.4 X 2.5
52	FF30161	PIN 161
53	HN10284	TRIGGER VALVE CAP
54	HS10810	CYLINDER B
55	HS10815	BUMPER
56	BB40445	M8 X 35 HSHC SCREW
57	HN10323	BUFFER SEAT B
62	HN10287	ARM GUIDE UNIT
63	KK29024	COMPRESSION SPRING 9024
64	HS10814	CONTACT ARM
65	HS10812	MAGAZINE GUIDE B
66	HS10811	MAGAZINE GUIDE A
67	HS10816	ARM COVER
68	EE31121	WASHER 1-5(BLACK)
69	BB40456	HEX.SOC.HD.CAP SCREW M5X8
70	HS10799	NAIL COVER
71	HS10804	RUBBER WASHER
72	HS10803	COLLAR
73	HS10801	TAIL HANGER
74	HS10824	CAUTION LABEL
75	HN10286	CONTACT LEVER

76	TA16329	TRIGGER UNIT
77	FF22402	SPRING PIN 3X16 (LIGHT LOAD)
78	HS70086	TRIGGER VALVE KIT
79	HS10828	WARNING LABEL
80	HS10823	NAME LABEL
81	HS70091	TAIL COVER UNIT
82	CN31083	HOOK, DUST COVER
83	BB40436	HEX.SOC.HD.CAP SCREW M6X14
84	FF31190	PIN 1190
85	HS10807	SPRING COLLAR
86	BB42801	HEX.SOC.FL.HD.CAP SCREW M6X20
87	HS10822	MAGAZINE HOLDER
88	KK44024	SPIRAL SPRING 4024
89	BB40417	HEX.SOC.HD.CAP SCREW M5X18
90	HS80029	MAGAZINE ASSY
91	KN12420	NAIL STOPPER B
92	GN10433	NAIL STOPPER
93	CC49411	SPECIAL NUT M5
94	HS10800	NAIL GUIDE A
95	KN12624	NAIL GUIDE B
96	HS10806	PUSHER HOLDER
97	GN10425	LOCK PLATE
98	FF21239	SPRING PIN 4X12
99	EE39609	RUBBER WASHER 1.8X6X2
100	HS10805	PUSHER
101	FF31603	PIN 1603
102	KK23932	SPRING 3932
103	HS10826	BODY HANGER
104	BB40457	HEX.SOC.HD.CAP SCREW M6X38
106	HS80028	FRAME ASSY
107	HS70087	NOSE UNIT
108	HS80030	O-RING KIT