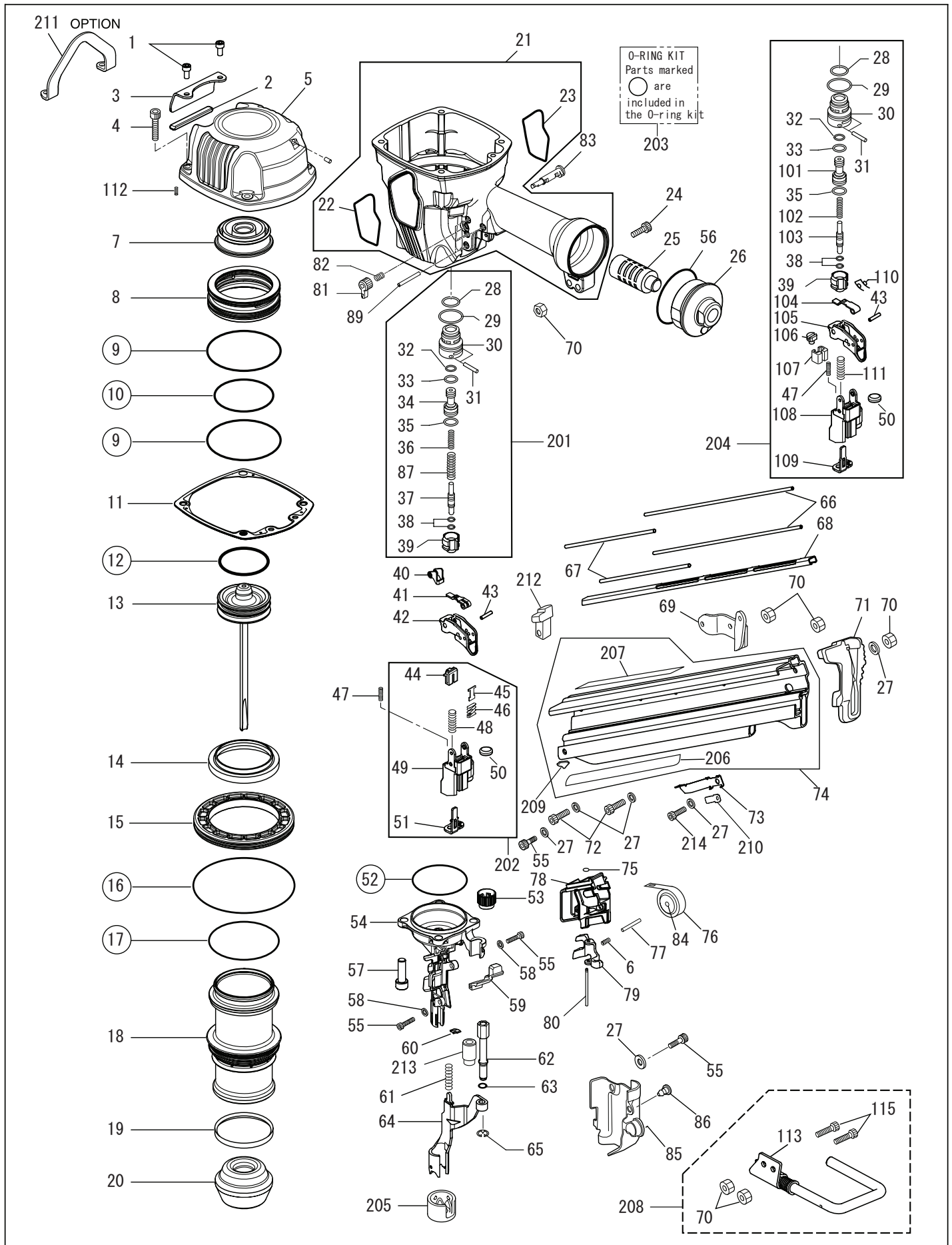


SN883-100CH/34 (CE)



MAX SN883-100CH/34(CE) - Parts List

Part No.	Part Code	Description
1	BB40406	SCREW M5X12
2	KN12187	EXHAUST FILTER
3	KN12194	EXHAUST COVER
4	BB40429	HEX.SOC.HD.CAP SCREW
5	KN70148	CYLINDER CAP UNIT
6	KK23976	COMP SPRING 3976
7	KN12186	PISTON STOP
8	KN12185	HEAD VALVE PISTON
9	HH14150	O-RING ARP568-150
10	HH11161	O-RING ARP568-142
11	KN70097	CYLINDER CAP SEAL UNIT
12	HH19218	O-RING 4.5X48.7
13	KN70149	MAIN PISTON UNIT
14	KN12189	CYLINDER SEAL
15	KN12190	CYLINDER RING
16	HH12121	O-RING 1AG100
17	HH12107	O-RING
18	KN12583	CYLINDER
19	CN35325	CHECK VALVE
20	KN12193	BUMPER
21	KN81055	FRAME
22	KN12205	NAME LABEL A
23	KN12206	NAME LABEL B
24	BB40460	BOLT 5 X 28
25	CN35685	END CAP FILTER SA-10
26	KN12436	END CAP
27	EE31121	WASHER 1-5 (BLACK)
28	HH11125	O-RING AP12
29	HH11138	O-RING AP20
30	CN33909	TRIGGER VALVE HOUSING
31	FF30161	PIN 161
32	HH11119	O-RING AP6
33	HH11209	O-RING 1BP7
34	CN31589	PILOT VALVE
35	HH11113	O-RING AP9
36	KK24161	COMP. SPRING 4161
37	KN12214	TRIGGER VALVE STEM

38	HH11901	O-RING 1.4 X 2.5
39	CN33910	TRIGGER VALVE CAP
40	HS10144	CONTACT LEVER B
41	KN12274	CONTACT LEVER A
42	KN12401	TRIGGER
43	FF22402	SPRING PIN 3X16
44	HS10145	SWITCH LEVER A
45	HS10146	SWITCH LEVER B
46	CN34500	SPRING, LEVER
47	KK23129	COMPRESSION SPRING 3129
48	KK29025	COMP. SPRING 9025
49	KN12207	ARM GUIDE
50	TA15144	EXHAUST SEAL
51	KN12212	CONTACT ARM A
52	HH14729	O-RING AS568-144
53	KN12200	ADJUST DIAL
54	KN12584	NOSE
55	BB40415	BOLT 5X10
56	HH12111	O-RING 1AG-45
57	BB40443	SCREW M8 X 28
58	EE39172	WASHER 5.1X12X1.2
59	KN12540	MAGAZINE GUIDE B
60	KN12216	MAGAZINE GUIDE A
61	KK29024	COMP. SPRING 9024
62	KN12590	CONTACT BOLT
63	HH19722	O-RING A1.5X5
64	KN70120	CONTACT ARM B UNIT
65	JJ10102	E-RING 5
66	KN12210	NAIL GUIDE B
67	KN12227	NAIL GUIDE A
68	KN12226	NAIL COVER
69	KN12574	TAIL HANGER
70	CC49411	SPECIAL NUT M5
71	KN12589	TAIL COVER
72	BB40408	BOLT 5X14
73	KN12419	NAIL STOPPER
74	KN12585	MAGAZINE
75	EE39609	RUBBER WASHER 1.8X6X2
76	KK44021	SPIRAL SPRING 4021

77	FF31572	PIN 1572
78	KN12232	PUSHER HOLDER
79	KN12230	PUSHER
80	FF31603	PIN 1603
81	CN35075	TRIGGER LOCK LEVER
82	KK23507	SPRING 3507
83	CN35074	TRIGGER LOCK DIAL
84	GN10424	SPRING COLLAR
85	KN12573	ARM COVER
86	CN31083	HOOK, DUST COVER
87	KK24162	COMP. SPRING 4162
89	FF21235	SPRING PIN 3X30
91	KN12420	NAIL STOPPER B
101	CN32246	PILOT VALVE
102	KK24123	COMPRESSION SPRING 4123
103	CN35128	TRIGGER VALVE STEM
104	HN10100	CONTACT LVER
105	HS10118	TRIGGER
106	HN10786	ARM GUIDE PLATE
107	KN12277	CONTACT ARM A GUIDE
108	KN12278	ARM GUIDE
109	KN12276	CONTACT ARM A
110	KK33300	SPRING 3300
111	KK23973	COMP SPIRNG 3973
112	KK23944	COMP. SPRING 3944
113	KN12405	RAFTER HOOK
115	BB40027	SCREW 5X30
201	KN81017	TRIGGER VALVE KIT
202	KN81060	ARM GUIDE KIT
203	KN81016	O-RING KIT
204	KN81027	SEQUENTIAL TRIP KIT
205	KN11237	CONTACT TIP
206	KN12591	NAME LABEL
207	KN12592	CAUTION LABEL
208	KN81035	RAFTER HOOK KIT
209	KN12549	WARNING LABEL
210	KN12420	NAIL STOPPER B
211	KN81054	BODY HANGER KIT
212	KN12600	CONTACT GUIDE

213	KN12599	CONTACT SPRING COLLAR
214	BB40404	HEX. BOLT 5X16